

Ururu streamer technology
Air Purifiers
Technical Data
MCK55W



Table of contents

MCK55W

1	Features	4
	MCK55W	4
2	Specifications	5
3	Capacity tables	7
	Cooling/Heating Capacity Tables	7
4	Dimensional drawings	8
	Dimensional Drawings	8
5	Wiring diagrams	9
	Wiring Diagrams - Single Phase	9

1 Features

1 - 1 MCK55W

- > Humidification and purification in one
- > Pure air thanks to active plasma ion discharge and flash streamer technology
- > High performance HEPA filter to catch fine particles of dust
- > Powerful suction and whisper quiet
- > New stylish and compact design

1



Ururu - humidification



Flash Streamer

2 Specifications

1 - 1 MCK55W

Technical Specifications				MCK55W		
Type	Humidifying air purifier					
Application	Floor standing type					
Casing	Colour	White				
Dimensions	Unit	Height	mm	700		
		Width	mm	270		
		Depth	mm	270		
	Packed unit	Height	mm	330		
		Width	mm	798		
		Depth	mm	330		
Weight	Unit	kg	9.5			
	Packed unit	kg	13.5			
Applicable room area				41		
Air purifying operation	Power input	Turbo	kW	0.056		
		M	kW	0.017		
		L	kW	0.010		
		Silent	kW	0.007		
Humidifying operation	Power input	Turbo	kW	0.058		
		M	kW	0.019		
		L	kW	0.014		
		Silent	kW	0.011		
	Humidification	Turbo	ml/h	500		
		Medium	ml/h	300		
		Low	ml/h	240		
		Silent	ml/h	200		
	Water tank capacity		l		2.7	
	Sound pressure level	Air purifying operation	Turbo	dB(A)	53.0	
Medium			dB(A)	39.0		
Low			dB(A)	29.0		
Silent			dB(A)	19.0		
Humidifying operation		Turbo	dB(A)	53.0		
		Medium	dB(A)	39.0		
		Low	dB(A)	33.0		
		Silent	dB(A)	25.0		
Fan		Type	Multi Blade Fan (Sirocco fan)			
		Air flow rate	Air purifying operation	Turbo	m ³ /h	330
	Medium			m ³ /h	192	
	Low			m ³ /h	120	
	Silent			m ³ /h	54	
	Humidifying operation	Turbo	m ³ /h	330		
		Medium	m ³ /h	192		
		Low	m ³ /h	144		
		Silent	m ³ /h	102		
	Fan motor	Speed	Drive	Direct drive		
Dust collecting method				Electrostatic HEPA filter		
Deodorizing method				Flash streamer + Deodorizing catalyst		
Air filter	Type	Polyethylene terephthalate net				
Sign	Item	01	Dust: 3 stages / Odour: 3 stages / Anti-pollen mode / Water supply lamp / Child proof lock lamp / ON/OFF lamp / Streamer lamp / Econo mode / MOIST mode / AUTO FAN mode / PM 2.5 sensor lamp: 3 stages / Humidity monitor lamp: 5 stages / Humidity setting: Low/Standard/High / Airflow rate: Quiet/Low/Standard/Turbo / Humidity on/off			

Standard accessories: Remote control lid; Quantity: 1;

Standard accessories: Remote control holder; Quantity: 1;

Standard accessories: Electrostatic HEPA filter; Quantity: 1;

Standard accessories: Humidifying filter; Quantity: 2;

Standard accessories: Deodorising filter; Quantity: 1;

Standard accessories: Operation manual; Quantity: 1;

Standard accessories: Caster; Quantity: 4;

Electrical Specifications				MCK55W	
Power cord	m			18	
Power supply	Phase	1~			
	Frequency	Hz	50/60		
	Voltage	V	220-240/220-230		
	Plug	Type	C		
Running current	Air purifying operation	Turbo	A	0.50	
		Medium	A	0.19	
		Low	A	0.12	
		Silent	A	0.09	
	Humidifying operation	Turbo	A	0.50	
		Medium	A	0.20	
		Low	A	0.15	
		Silent	A	0.13	

The applicable room area is appropriate for operating the unit of maximum fan speed (HH). Applicable room area indicates the space where a certain amount of dust particles can be removed in 30 minutes.

2 Specifications

1 - 1 MCK55W

(JEM 1467) |

Humidification amount changes in accordance with indoor and outdoor temperature and humidity. Measurement condition: 20°C in temperature, 30% in humidity. |

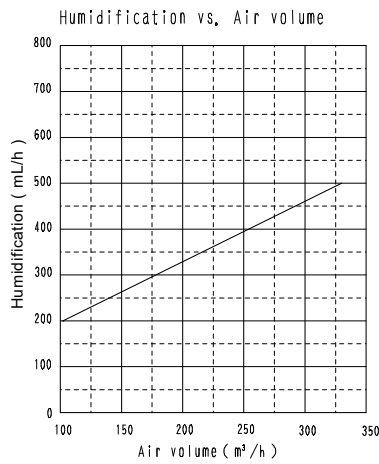
Operating sound levels are the average of values measured at 1m away from the front, left, right and top of the unit. (These are equal to the values in an anechoic chamber) |

Electrostatic HEPA filter and humidifying filters are attached in the unit.

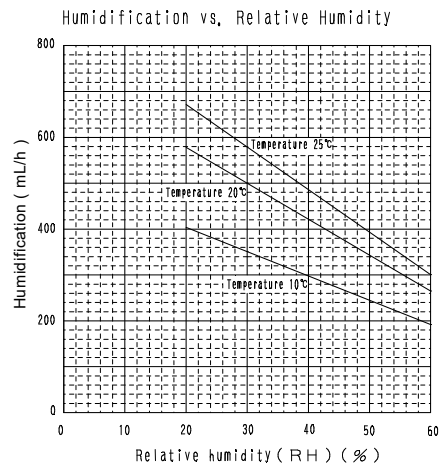
3 Capacity tables

3 - 1 Cooling/Heating Capacity Tables

MCK55W



Operating condition	
Power source	220V-240V/220-230V 50/60Hz
Temperature and Humidity setting	JEM 1426
Temperature	20°C
Humidity	30%
Humidity setting	High



Operating condition	
Power source	220V-240V/220-230V 50/60Hz
Air volume	Turbo
Humidity setting	High

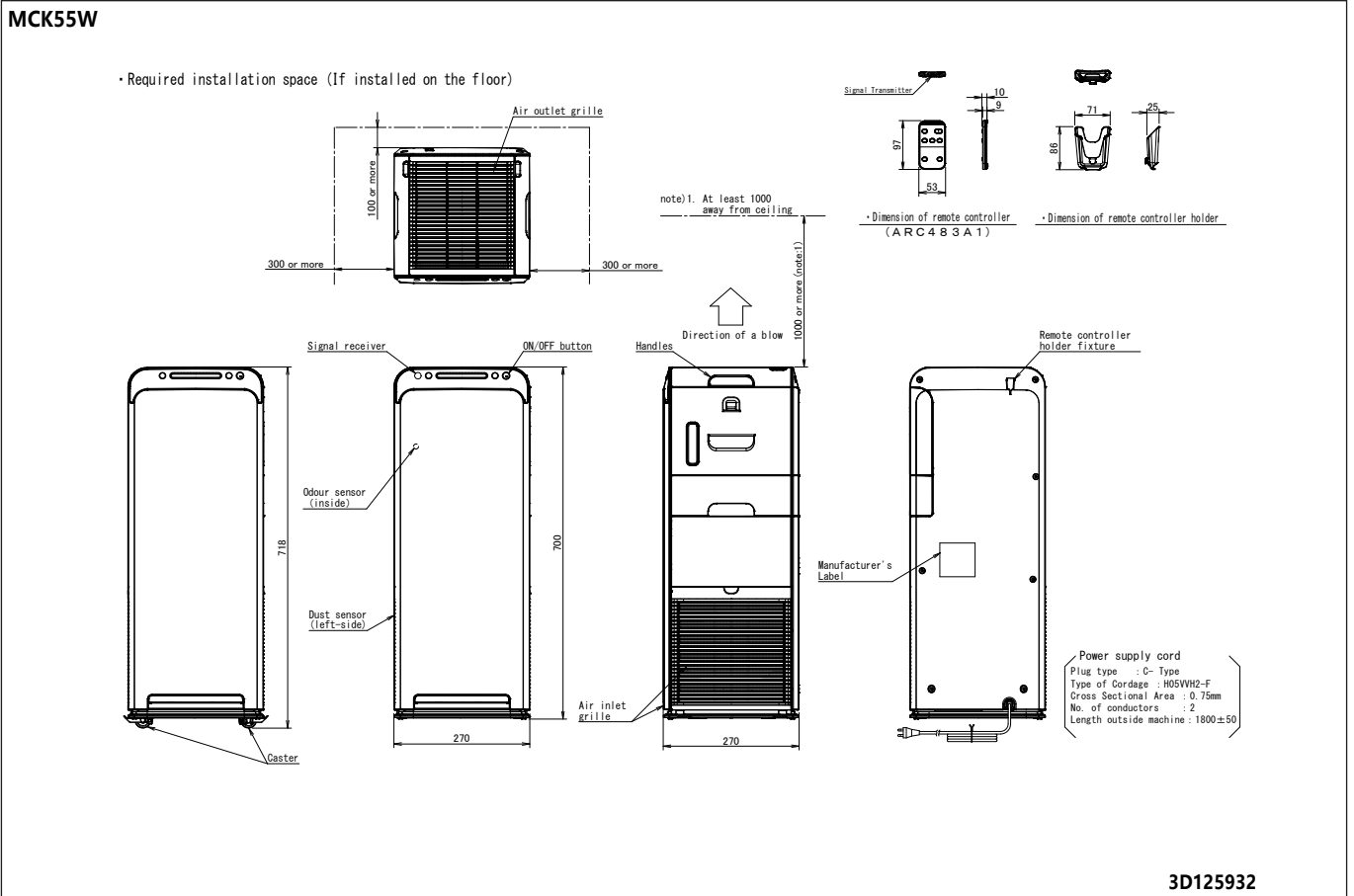
Measurement condition on terms : 20°C in temperature
30% in humidity. (JEM 1426)

3D106603C

4 Dimensional drawings

4 - 1 Dimensional Drawings

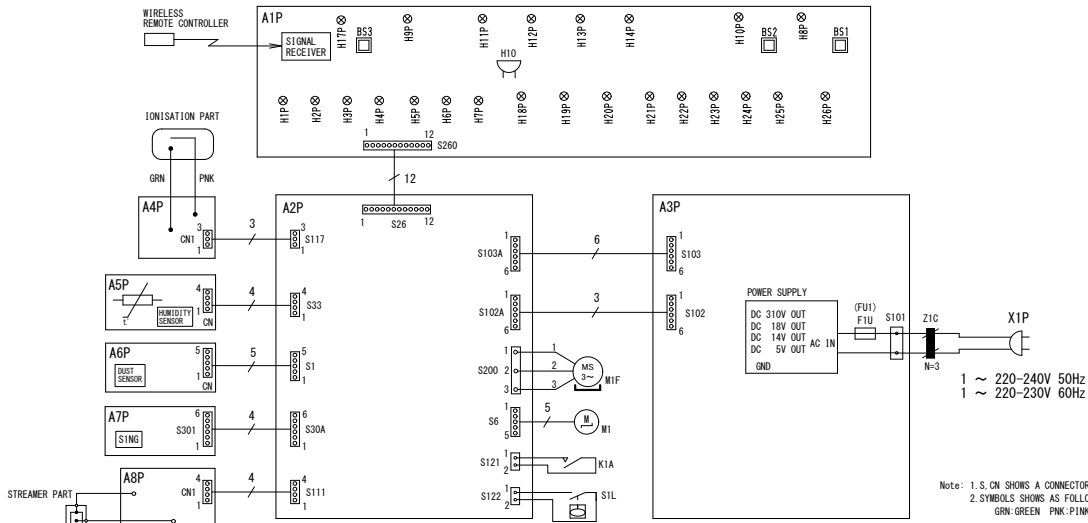
4



5 Wiring diagrams

5 - 1 Wiring Diagrams - Single Phase

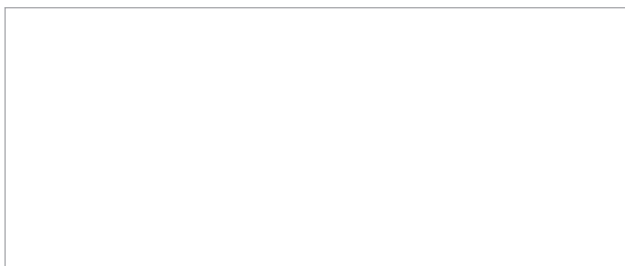
MCK55W



Note: 1. S. ON SHOWS A CONNECTOR.
2. SYMBOLS SHOWS AS FOLLOWS
GRN: GREEN PINK: PINK

H10	Buzzer 1 (RECEIVING SIGN)	BS1	MAIN SWITCH	H8P	LED (ON/OFF: GREEN)	H20P	LED (ODOUR SIGN: RED/GREEN)	M1F	FAN MOTOR
A1P	PRINTED CIRCUIT BOARD (FOR DISPLAY)	BS2	HUMIDIFICATION SWITCH	H9P	LED (CHLD PROOF LOCK: ORANGE)	H21P	LED (HUM MONITOR 30%: BLUE)	M1	STEPPER MOTOR (FOR HUMIDIFYING GEAR)
A2P	PRINTED CIRCUIT BOARD (FOR CONTROL)	BS3	AIRFLOW SWITCH	H10P	LED (HUM ON/OFF: ORANGE)	H22P	LED (HUM MONITOR 40%: BLUE)	K1A	LIMIT SWITCH
A3P	PRINTED CIRCUIT BOARD (FOR POWER SUPPLY)	H1P	LED (QUIET: GREEN)	H11P	LED (AUTO FAN: GREEN)	H23P	LED (HUM MONITOR 50%: BLUE)	S1L	FLOAT SWITCH
A4P	PRINTED CIRCUIT BOARD (HIGH VOLTAGE POWER SUPPLY FOR IONISATION)	H2P	LED (L: GREEN)	H12P	LED (ECONO: GREEN)	H24P	LED (HUM MONITOR 60%: BLUE)	Z1C	FERRITE CORE
A5P	PRINTED CIRCUIT BOARD (FOR HUMIDITY SENSOR)	H3P	LED (S: GREEN)	H13P	LED (ANTI-POLLEN: GREEN)	H25P	LED (HUM MONITOR 70%: BLUE)	X1P	POWER SUPPLY PLUG
A6P	PRINTED CIRCUIT BOARD (FOR DUST SENSOR)	H4P	LED (TURBO: GREEN)	H14P	LED (MOIST: GREEN)	H26P	LED (STREAMER LAMP: BLUE)		
A7P	PRINTED CIRCUIT BOARD (FOR ODOUR SENSOR)	H5P	LED (HUM L: GREEN)	H17P	LED (WATER SUPPLY: RED)	F11U	FUSE (250V, 3.15A)		
A8P	PRINTED CIRCUIT BOARD (FOR HIGH VOLTAGE POWER SUPPLY)	H6P	LED (HUM S: GREEN)	H18P	LED (DUST SIGN: RED/GREEN)				
SING	ODOUR SENSOR	H7P	LED (HUM H: GREEN)	H19P	LED (PM2.5 SIGN: RED/GREEN)				

3D106488D



EEDEN20

03/2020



The present leaflet is drawn up by way of information only and does not constitute an offer binding upon Daikin Europe N.V. Daikin Europe N.V. has compiled the content of this leaflet to the best of its knowledge. No express or implied warranty is given for the completeness, accuracy, reliability or fitness for particular purpose of its content and the products and services presented therein. Specifications are subject to change without prior notice. Daikin Europe N.V. explicitly rejects any liability for any direct or indirect damage, in the broadest sense, arising from or related to the use and/or interpretation of this leaflet. All content is copyrighted by Daikin Europe N.V.